

# High-brightness Lighting BOX «LLBK Series»

High-brightness lighting box

High-brightness lighting box

## LLBK Series

Compact LED light source box for image processing



Model	LLBK1-BA-*	LLBK1-SA-*
Recommended bundle diameter	B : $\phi 8 \sim 14\text{mm}$	S : Less than $\phi 8\text{mm}$
Outer dimensions WxDxH[mm]	110x112x110	
Lighting system	Constant-current control	
Number of outputs	1ch	
Input power	24 VDC (M3 terminal block/AC adapter 100 VAC to 240 VAC)	
Power consumption	Typ. 140 W (white)	
Light control value	1,000 gradations	
LED service life	Min. 40,000 hours <sup>#1</sup>	
Cooling system	Fan cooling Side intake and rear exhaust (one rear fan)	
LED emission color	White, red, green, blue, and UV	
External ON/OFF	M3 terminal block (2 pins)/LAN connector	
External light control	LAN connector	
Mass	Approx. 1.4 kg (main body)	
Environmental control	Conforming to RoHS	

● □ × :  $\phi$  outer diameter of attachment x insertion length  
<sup>#1</sup> Estimated value based on range from initial light intensity to 70% (This value is not guaranteed).  
<sup>#2</sup> IR and UV are in the LLBKC series.

**Infrared** <sup>#2</sup>  
 P72  
**UV**  
 P116



LAN

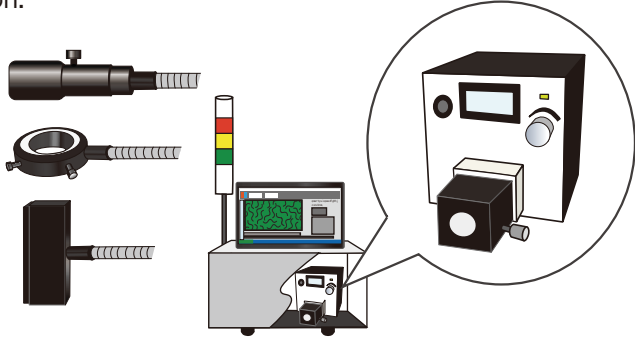


Customizable



### Features

- Lightweight and compact design for optimum installation.
- Choice of 24 VDC (standard) and AC adapter (optional).
- Best suited for replacement of metal halide and fiber light source
- Spot specification (custom) with a variable condensing lens is also available.
- Can be used in a variety of applications



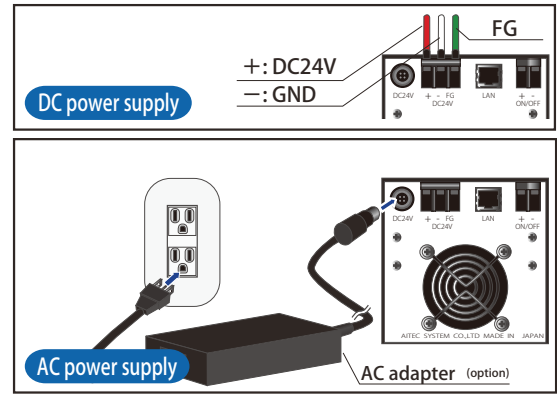
Installation in inspection equipment

### Application example

- Light source for various types of light guides,
- Light source for transmission light, Light source for line camera,
- Light source for area camera, Light source for visual inspection
- Light source for image processing

### Power supply selection

Rear terminal block: 24 VDC input  
 AC adapter: 100 VAC to 240 VAC input

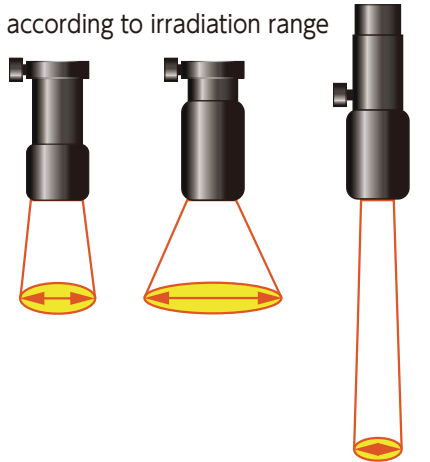


\* AC adapter is optional.

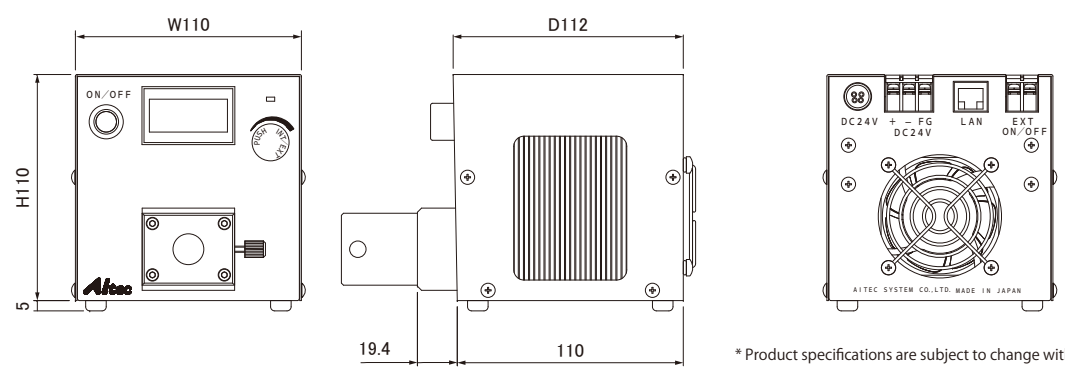
### Options

#### Condenser lens

Selectable according to irradiation range

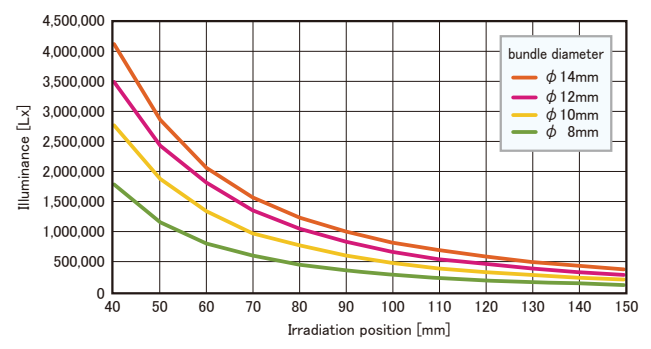


### Outer dimensions



\* Product specifications are subject to change without notice.

### Data (Typical example : LLBK1-BA-15x37W)



\* Graph information (for reference only) does not guarantee product quality.

### Spot specification

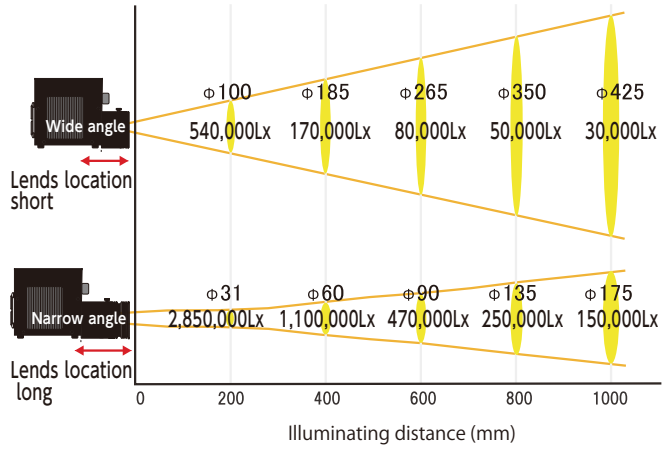
#### LLBK-LA Series

Variable irradiation diameter (via adjustable lens mechanism)



### Spot specification (Characteristic comparison)

#### LLBK-LA Series / Luminance comparison



#### LLBKC-LA series / IR Type strength comparison <sup>#2</sup>

